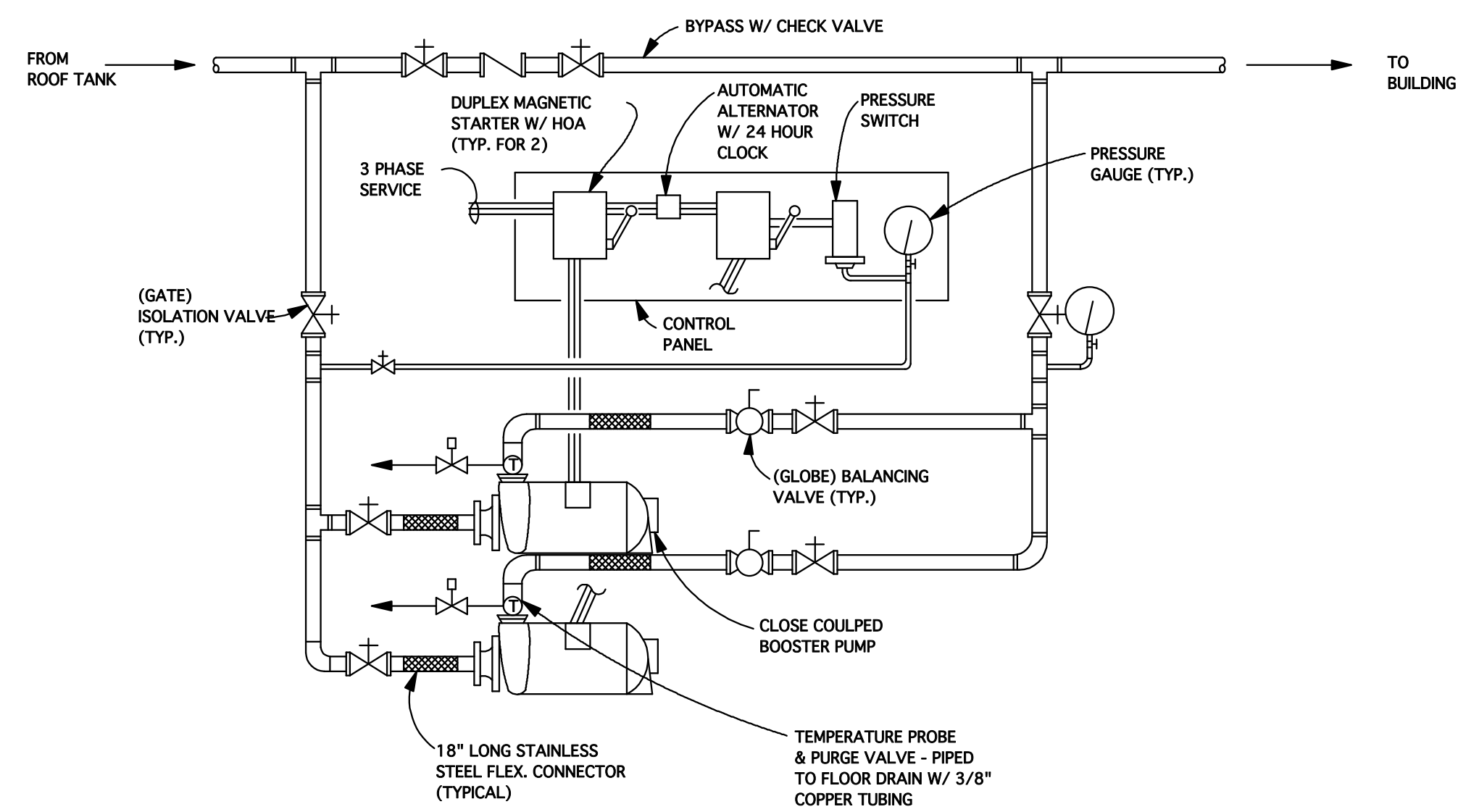
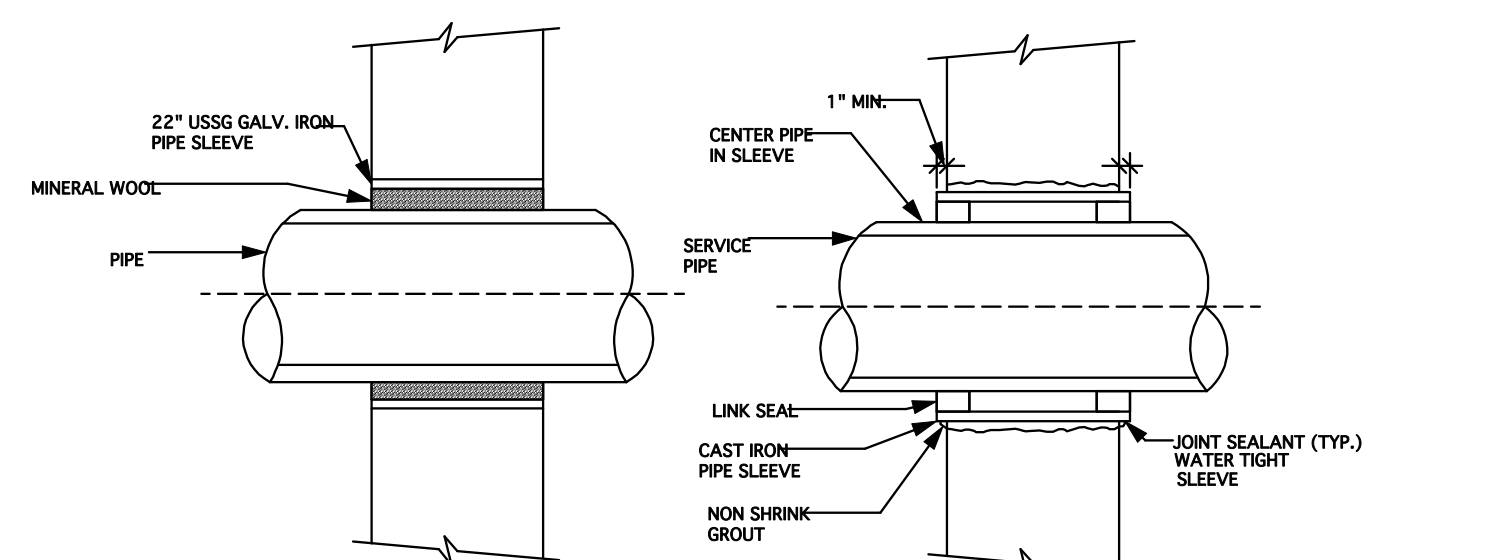


**GAS CONNECTION RISER DIAGRAM**  
NOT TO SCALE

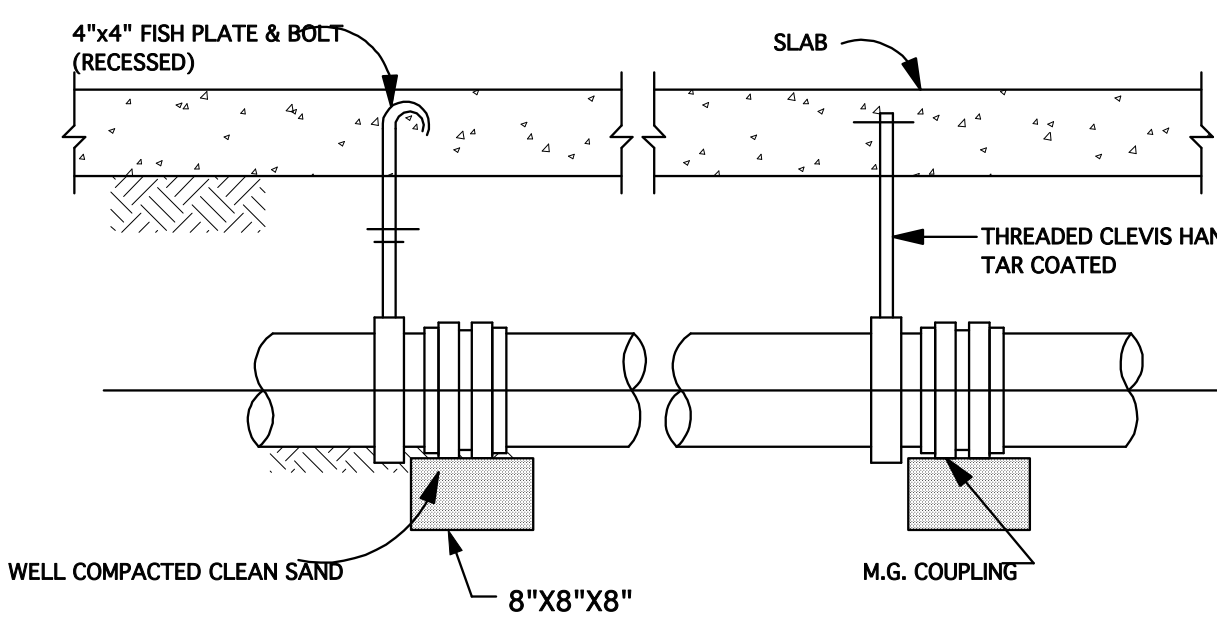


**DUPLIX BOOSTER PUMP**  
NOT TO SCALE

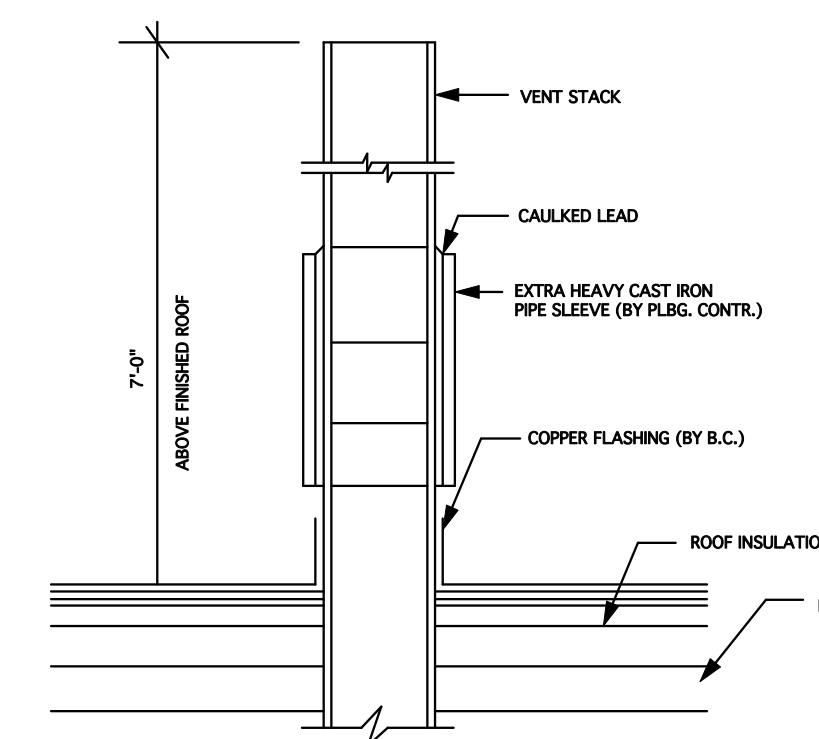


**DETAIL OF PIPES PASSING THRU INTERIOR WALLS**  
NOT TO SCALE

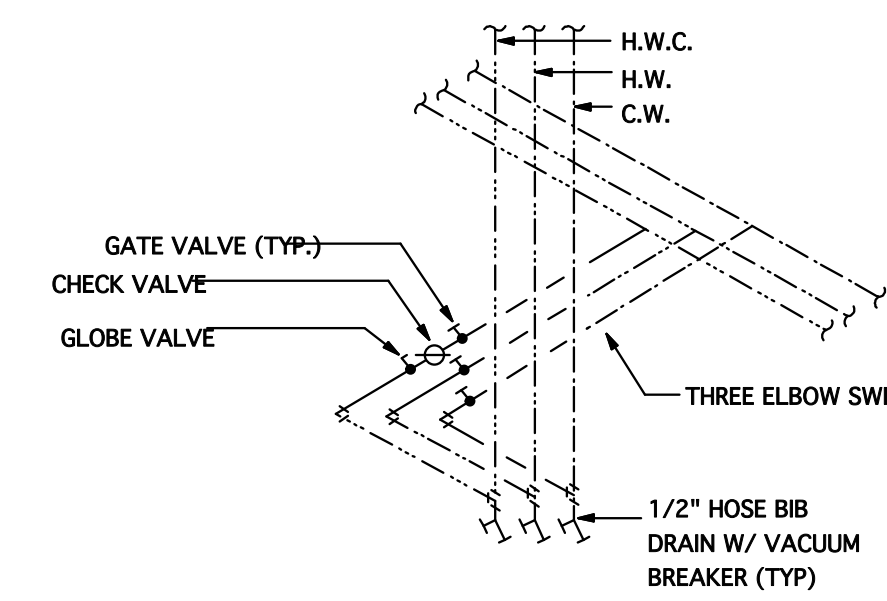
**DETAIL OF WATERTIGHT SLEEVE FOR PIPES PASSING THRU BUILDING WALL**  
NOT TO SCALE



**PIPE HANGING DETAIL (UNDERGROUND)**  
NOTE: LOCATE HANGERS EVERY 5 FT. AND AFTER EVERY M.G. COUPLING



**VENT TERMINAL DETAIL**  
NOT TO SCALE



**TYPICAL VALVING AT BASE OF RISERS**  
NOT TO SCALE

D O B # 2 0 0 4 3 5 1 9 0  
HUD#012-EE166 / NY36-S951-021

**MICHAEL AVRAMIDES**  
C A S E L L A P L A Z A  
9 6 1 E A S T 1 8 0 S T R E E T  
B R O N X , N E W Y O R K  
A Q U I N A S H O U S I N G C O R P .  
9 7 5 E A S T T R E M O N T A V .  
B R O N X , N E W Y O R K 1 0 4 6 0  
M S . M E A G H A N S H A N N O N , E X . D I R .

**GAS RISER DIAGRAM,  
& DETAILS**

S C A L E                      D A T E

**P**                      **6**  
AS NOTED                      29 DEC '97

ABRAHAM JOSELOW P.C.  
- mechanical engineers -  
212 - 755 - 5111  
NEW YORK, NEW YORK 10001

319 E. 50th ST  
N Y C 1 0 0 2 2  
212 - 755 - 5111  
**ARCHITECT**